

-40 to +50°C

Technical Specifications



MOBOTIX D26B Dome

Classic Design. Unique Technology.

A compact, intelligent IP video system with a lens that can be positioned manually. A shock-resistant 1.5-mm polycarbonate dome (IK10) makes this camera weatherproof. The MOBOTIX D26B offers the same trailblazing system platform as all the other cameras in the latest generation of MOBOTIX x26/x16 technology.

- Mx6 system platform 2nd generation, with MxBus, H.264 and ONVIF compatibility
- Recording on an internal MicroSD card (4 GB as standard)
- Available in day or night variants (6MP color or B&W sensor)
- Large selection of lenses with viewing angles from 15° to 103°
- Equipped with shock detector and MxAnalytics as standard
- Weatherproof and shock-resistant housing (IP66, IK10)
- Accessories for ceiling installation and vandalism protection

Technical Specifications: D26B Dome

Camera Variants	D26B Body Day Or Night Lens For Self-Assembly	D26B Day Complete Camera	D26B Night Complete Camera
Specialties	D26B Body with 6MP Day or Night sensor: Mx-D26B-6D or Mx-D26B-6N ; Lenses available separately for self-assembly	Factory-assembled D26B Day or Night cameras with sharply focused lens (not available in the Americas)	
Lenses	D26B Body Day Or Night Lens For Self-Assembly	D26B Day Complete Camera	D26B Night Complete Camera
Ultra Wide Lens MX-B036 (f/1.8, 103° x 77°)	Lens selection for D26B Body Day/Night Body Day: Mx- D26B-6D Body Night: Mx-D26B-6N	Mx-D26B-6D036	Mx-D26B-6N036
Super Wide Lens MX-B041 (f/1.8, 90° x 67°)		Mx-D26B-6D041	Mx-D26B-6N041
Wide Lens MX-B061 (f/1.8, 60° x 45°)		Mx-D26B-6D061	Mx-D26B-6N061
Standard Lens MX-B079 (f/1.8, 45° x 34°)		Mx-D26B-6D079	Mx-D26B-6N079
Tele Lens MX-B119 (f/1.8, 31° x 23°)		Mx-D26B-6D119	Mx-D26B-6N119
Distant Tele Lens MX-B237 (f/1.8, 15° x 11°)		Mx-D26B-6D237	Mx-D26B-6N237

Hardware	D26B Body Day Or Night Lens For Self-Assembly	D26B Day Complete Camera	D26B Night Complete Camera
Image sensor with individual exposure zones	Color or Black & White (B/W)	Color	B/W
Light sensitivity in lux at 1/60 s and 1/1 s	0.1/0.005 (Color) 0.02/0.001 (B/W)	0.1/0.005 (Color)	0.02/0.001 (B/W)
Image sensor (color or B/W sensor)	1/1.8" CMOS, 6MP (3072 x 2048), Progressive Scan		
Microprocessor	i.MX 6 Dual Core incl. GPU (1 GB RAM, 512 MB Flash)		
H.264 Hardware Codec	Yes, bandwidth limitation available; output image format up to QXGA		
Protection classes	IP66 and IK10 (with and without Vandalism Set)		
Intended use	Not for use in hazardous areas (Ex area)		
Ambient temperature (range, incl. storage)	-40 to 50°C/-40 to 122°F (cold boot from -30°C/-22°F)		
Internal DVR, ex works	4 GB (microSD)		
Microphone/speaker	No/No (optional audio extension via external ExtIO module)		
Passive infrared sensor (PIR)	No		
Temperature sensor	Yes		
Shock detector (tamper detection)	Yes		
Power consumption (typically at 20°C/68°F)	5 watts		
PoE Class (IEEE 802.3af)	Class 2 or 3 (variable), factory setting: class 3		
Interfaces Ethernet 100BaseT/MxBus/USB	Yes (MxRJ45)/Yes/Yes		
Interface RS232	With MX-232-IO-Box (Order Nr: MX-OPT-RS1-EXT)		
Mounting options	Wall, ceiling or pole (with optional Wall & Pole/Corner Mount Set)		
Dimensions (height x diameter)	86 x 160 mm		
Weight	350 g		
Housing	Fixed Dome, PBT-30GF, color: white		
Standard accessory	Screws, dowels, allen screw, toothed wrench, Torx wrench, 0.5 m ethernet patch cable, Quick Install, 1x lens cover		
Detailed technical documentation	www.mobotix.com > Support > Download Center		
Online version of this document	www.mobotix.com > Support > Download Center		
MTBF	> 80,000 hours		

Technical Specifications: D26B Dome

Hardware	D26B Body Day Or Night Lens For Self-Assembly	D26B Day Complete Camera	D26B Night Complete Camera
Certifications	EN55022:2010; EN55024:2010; EN50121-4:2006 EN61000-6-1:2007; EN 61000-6-2:2005 EN61000-6-3:2007+A1:2011 EN61000-6-4:2007+A1:2011 AS/ NZS CISPR22:2009+A1:2010 CFR47 FCC part15B		
Protocols	IPv4, IPv6, HTTP, HTTPS, FTP, FTPS, RTP, RTSP, UDP, SNMP, SMTP, DHCP (client and server), NTP (client and server), SIP (client and server) G.711 (PCMA and PCMU) and G.722		
Manufacturer's warranty (since May 2018)	3 years		
Image Formats, Frame Rates, Image Storage	D26B Body Day Or Night Lens For Self-Assembly	D26B Day Complete Camera	D26B Night Complete Camera
Available video codecs	MxPEG/MJPEG/H.264		
Image formats	Freely configurable format 4:3, 8:3, 16:9 or customized format (Image Cropping), such as 2592x1944 (5MP), 2048x1536 (QXGA), 1920x1080 (Full-HD), 1280x960 (MEGA)		
Multistreaming	Yes		
Multicast stream via RTSP	Yes		
Max. image format	6MP (3072 x 2048)		
Max. frame rate (fps, only single core used)	MxPEG: 42@HD(1280x720), 34@Full-HD, 24@QXGA, 15@5MP, 12@6MP MJPEG: 26@HD(1280x720), 13@Full-HD, 9@QXGA, 5@5MP, 4@6MP H.264: 25@Full-HD, 20@QXGA		
Number of images with 4 GB microSD (internal DVR)	CIF: 250,000, VGA: 125,000, HD: 40,000, QXGA: 20,000, 6MP: 10,000		

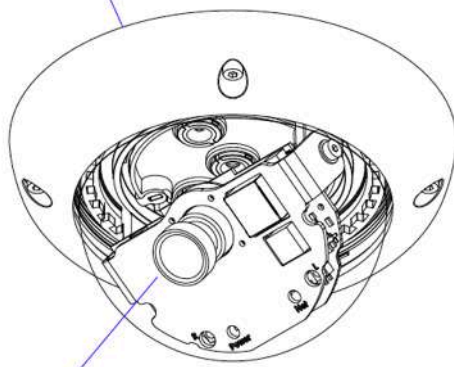


General Functions	D26B Body Day Or Night Lens For Self-Assembly	D26B Day Complete Camera	D26B Night Complete Camera
Digital zoom and pan	Yes		
ONVIF compatibility	Yes (Profile S, audio support with camera firmware V5.2.x and higher)		
Genetec protocol integration	Yes		
Programmable exposure zones	Yes		
Snapshot recording (pre/post-alarm images)	Yes		
Continuous recording with audio	With external audio accessory (MOBOTIX ExtIO)		
Event recording with audio	With external audio accessory (MOBOTIX ExtIO)		
Time controlled flexible event logic	Yes		
Weekly schedules for recordings and actions	Yes		
Event video and image transfer via FTP and email	Yes		
Playback and QuadView via web browser	Yes		
Bidirectional audio in browser	With external audio accessory (MOBOTIX ExtIO)		
Animated logos on the image	Yes		

Technical Specifications: D26B Dome

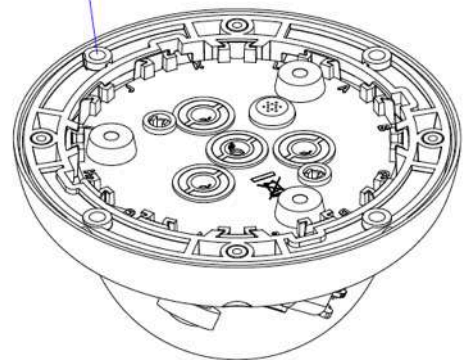
General Functions	D26B Body Day Or Night Lens For Self-Assembly	D26B Day Complete Camera	D26B Night Complete Camera
Master/Slave functionality		Yes	
Privacy zone scheduling		Yes	
Customized voice messages		Yes	
VoIP telephony (audio, alert)		With external audio accessory (MOBOTIX ExtIO)	
Remote alarm notification (network message)		Yes	
Programming interface (HTTP-API)		Yes	
DVR	Inside camera via microSD card, externally via USB device and NAS, different streams for live image and recording, MxFFS with archive function, pre-alarm an post-alarm images, monitoring recording with failure reporting		
Camera and data security	User and group management, SSL connections, IP-based access control, IEEE802.1x, intrusion detection, digital image signature		
MxMessageSystem: Sending and receiving of MxMessages		Yes	
Video Analysis	D26B Body Day Or Night Lens For Self-Assembly	D26B Day Complete Camera	D26B Night Complete Camera
Video motion detector		Yes	
MxActivitySensor		Yes	
MxAnalytics		Yes (Heatmaps, counting corridors)	
Video Management Software	D26B Body Day Or Night Lens For Self-Assembly	D26B Day Complete Camera	D26B Night Complete Camera
MxManagementCenter		Yes	
Mobile MOBOTIX App		Yes	

Camera housing

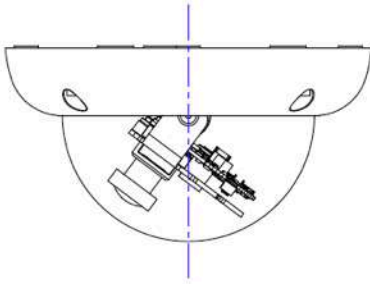


Lens

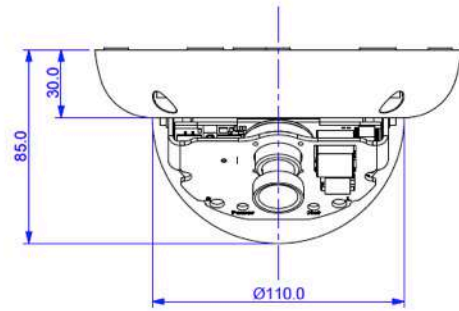
Mounting ring



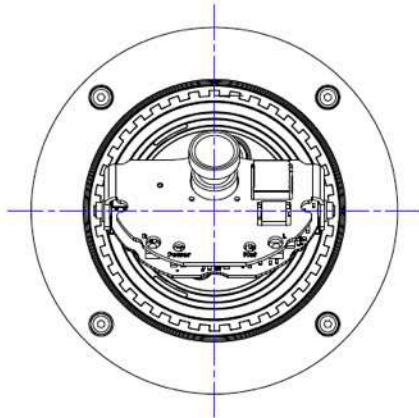
Side



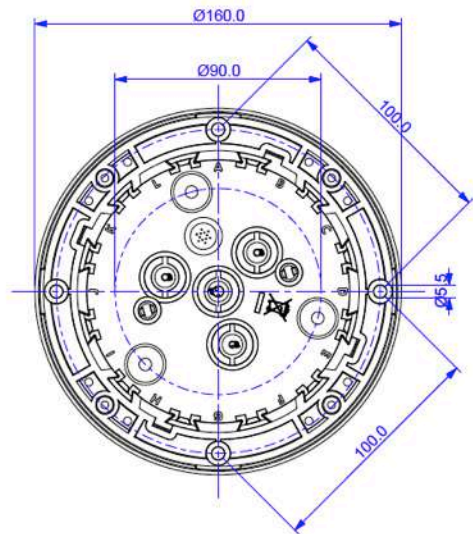
Front



Top



Bottom



Dimensions in mm