

# MOBOTIX ExtIO

Ø 12 cm

## MOBOTIX Cam

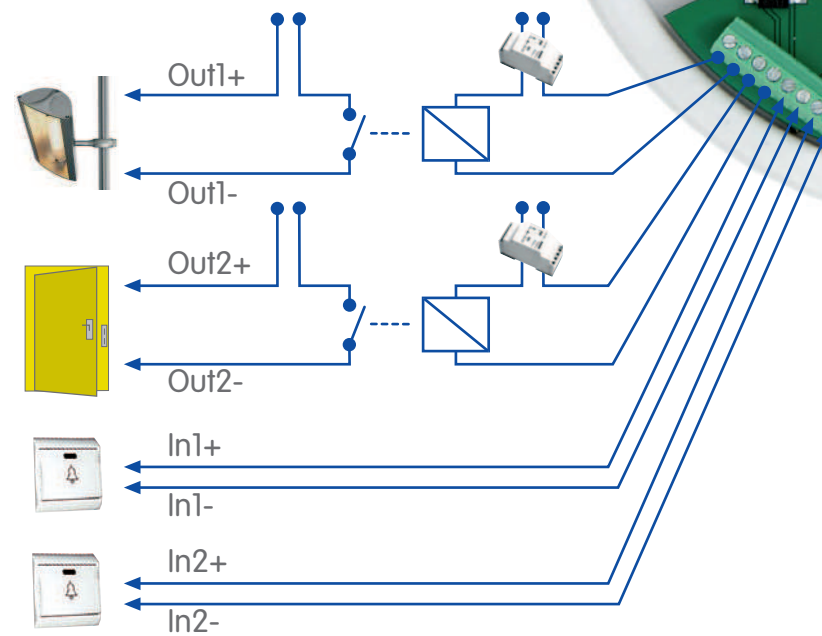
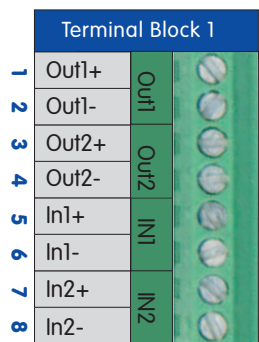
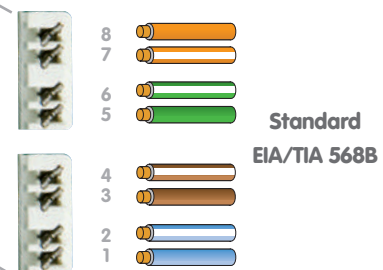
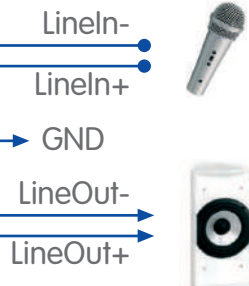
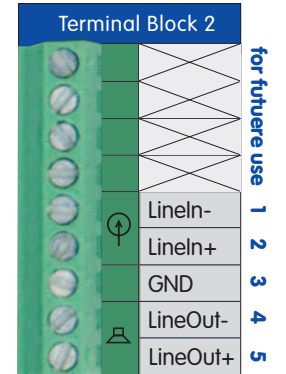
USB Connector

PIN	Funktion
1	USB +5V
2	USB D-
3	USB D+
4	GND

Bestellnr. USB-Kabel

- MX-EXTIO-D22-1
- MX-EXTIO-D22-5
- MX-EXTIO-D12-5
- MX-EXTIO-M22-5
- MX-EXTIO-M12-5

USB Connection



**MOBOTIX ExtIO**

Schemaplan    Rev.: 1.1    Juli 2008

Bestellnr.: MX-EXTIO (ohne Kamera)